



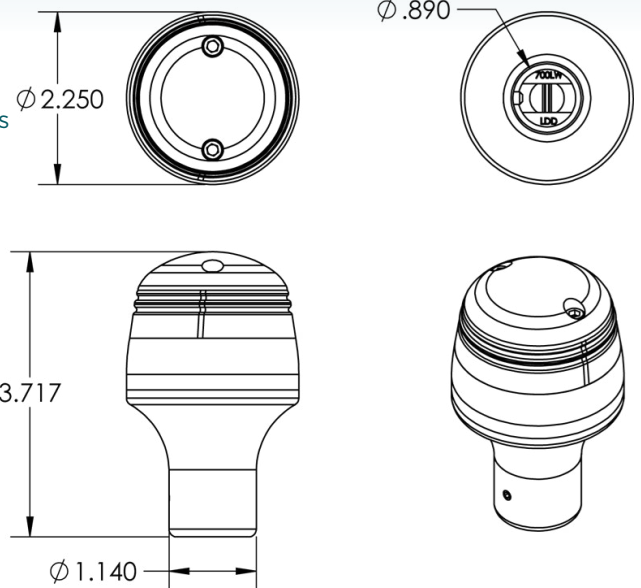
MASTHEAD ANCHOR LED LIGHT



Enhance on-the-water safety with the new F38-9000BLY Masthead Anchor LED Light. This USCG-approved 3nm light meets safety requirements and harnesses dual functionality for both anchor and mast lights in one sleek unit. This light pairs with our new Grand Slam 900 and Grand Slam 950 Electric Mounts and is also sold separately as a replacement. This light also pairs with any standard Anchor & Mast mount on the market.

FEATURES & BENEFITS

- ▶ Certified for USCG-approved 3 NM for powered vessels up to 39' (12 meters or under)
- ▶ Reliable long-life LEDs provide thousands of hours of maintenance-free service
- ▶ 6-Watt Stern Light and 12-watt Mast
- ▶ Low-draw, 0.6 amps per light
- ▶ Enables elevated visibility
- ▶ Easy installation with marine-adhesive sealants
- ▶ Low-voltage 12-24VDC
- ▶ Fits 7/8" aluminum tube (not included)
- ▶ Water-resistant, IP68 rating



The compliance date for ABYC A-16, Installation of Electric Navigation Lights, and C-5, Construction and Testing of Electric Navigation Lights, went into effect on August 1, 2023. All TACO Marine Navigation, Masthead, and All-Around Lights meet the requirements set forth and are approved under the NMMA Type Accepted Agreement. Additionally, all TACO Marine Navigation Lights have always used LED Cree chip technology. Please see below for documented approval of the required testing:

C-5 Testing

All-Around (F38-9000 Root Part Number)

Component ID 2619819

<https://www.ect.nmma.org/00001205/component/application/2619819/details>

C-5 Compliant

Navigation Lights (Side Lights)

Component ID 2619788

<https://www.ect.nmma.org/00001205/component/application/2619788/details>

PART NUMBER	DESCRIPTION	UNIT	CoO	UPC
F38-9000BLY	Light, Anchor LED	Each	USA	630961089570
F38-9000BLY-1	Replacement Light & Tube	Each	USA	631299092959

